



## BG60 Bore Gauge



Workpiece Measurement



Radio Transmission



Wear-free Measuring Mechanism



Mass Production



Diameter Measurement



Bore Gauge **BG60**

**BLUM**  
focus on productivity



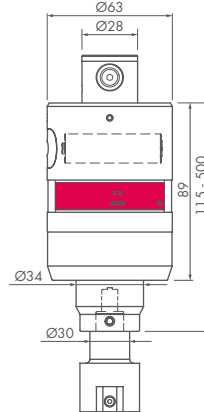
## BG60 | Bore Gauge | Tactile workpiece measuring system with BRC radio transmission

### Highly precise solution for in-process measurement of bore diameters in mass production

- Automatic measurement of bores (> 3 mm)
- Instant process control due to calculation of tool compensation values
- Measuring device for controlling mechatronic tools
- Machine-independent measuring system

#### Your benefit:

- Extremely fast measurement
- Float principle provides accurate diameter even when machine is not perfectly positioned in bore centre
- No-wear, optoelectronic measuring mechanism
- Easy pairing procedure between BG and receiver
- Use of up to 16 measuring systems with one receiver
- Elimination of costly post-process measuring station
- Increased productivity and production quality



Diameter Measurement with BG60



Measuring head available in different sizes

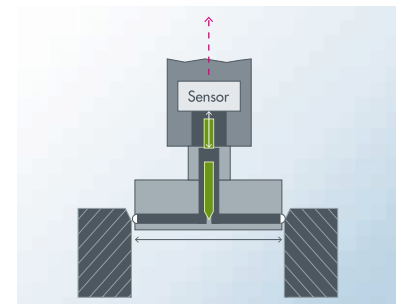
#### BRC Radio Technology

Sequential use of up to 16 measuring systems with one radio receiver.

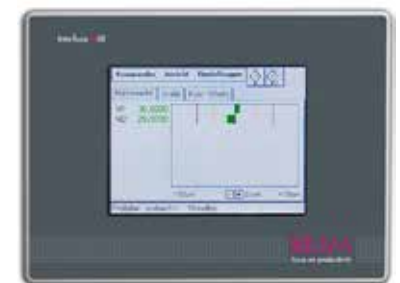


#### Technical data

Protection class	IP68
Resolution	12 Bit/0.15 µm
Linearity	1 % of the measuring range
Collision protection: max. overtravel	Z: 6 mm   X/Y: 6°
Maximum feed	without limiting
Max. acceleration	20 m/s <sup>2</sup>
Signal transmission	Radio
Frequency band	2.4000 ... 2.4835 GHz
Transmission power	0 dBm
Operating range	15 m
Battery (2 pieces)	Saft Lithium LS14500 (AA, 3.6 V) 2600 mAh
Mass	1.2 ... 1.5 kg (depending on type)
Tool holder	BTH 50 (HSK, SK, BT, VDI, ...)



Measuring system with float principle



Process control & logging with IF48

**BLUM**  
focus on productivity

#### Blum worldwide Service & Support

More than 40 subsidiaries and service offices.

[www.blum-novotest.com](http://www.blum-novotest.com)

#### Blum-Novotest Ltd.

Unit 15 Granary Wharf Business Park  
Wetmore Road, Burton upon Trent  
Staffordshire, DE14 1DU  
United Kingdom  
Phone: +44 1283 569691  
Fax: +44 1283 563687  
[info@blum-novotest.co.uk](mailto:info@blum-novotest.co.uk)

#### Blum-Novotest, Inc.

4144 Olympic Boulevard  
Erlanger, KY 41018  
USA

Phone: +1 (859) 344 6789  
Fax: +1 (859) 344 6799  
[solutions@blum-novotest.us](mailto:solutions@blum-novotest.us)